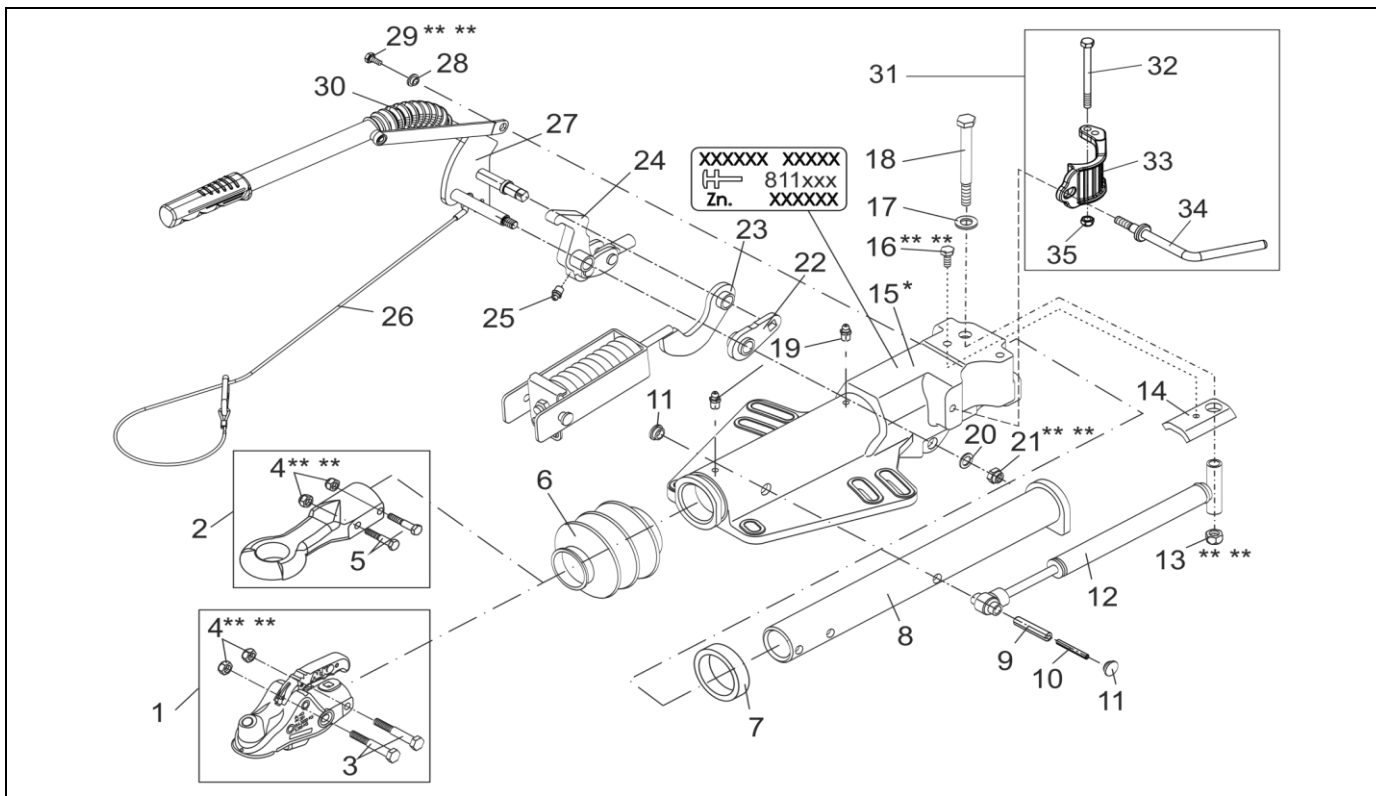


OVERRUN DEVICE TYPE V PROFI 3500 CLAMP FOR TUBE M12

ETI- No. 811523

(Specify the order with the ETI No.)

AL-KO
Spare Parts



Item	Description	Part No.
1	COUPLING AK 351 INCL. (NUTTS,SCREWS)	1224391
2	DRAWBAR EYE DIN Ø40 INCL. (NUTTS,SCREWS)	1224114
	NATO Ø76 INCL. (NUTTS,SCREWS)	1224118
3	HEX BOLT DIN 931-M16X100-8.8-ZN8DISP	706301
4	HEX NUT DIN 985-M16-8.8-ZN8DISP ** **	706306
5	HEX BOLT DIN 931-M16X110-8.8-ZN8DISP	706304
6	BELLOWS	21726605
7	PROFILE RING	2172660003
8	DRAW TUBE	692267
9	CLAMPING PIN DIN 1481-14X55	702371
10	CLAMPING PIN DIN 1481-8X55	702369
11	STOPPER	372416
12	SHOCK ABSORBER	1217090
13	HEX NUT DIN 985-M14-10-ZN8DISP ** **	706354
14	END STOP PLATE	692278
15	HOUSING	*
16	HEX BOLT DIN 933-M10X20-8.8-ZN8DISP ** **	706090
17	WASHER DIN125-A15-ST-ZN8DISP	705490
18	HEX BOLT DIN 931-M14X140-8.8-ZN8DISP	706353

Item	Description	Part No.
19	GREASE NIPPLE CONUS DIN 71412-AS 8X1	2171710001
20	WASHER DIN125-A13-ZN8DISP	705397
21	HEX NUT DIN 980-V M12-8-ZN8DISP ** **	705389
22	LEVER	692687
23	SPRING CLIP	692648
24	BELL CRANK (INCL. GREASE NIPPLE CONUS)	692722
	iH = 90/27	692268
	iH = 90/30	692723
	iH = 90/33.5	692723
25	GREASE NIPPLE CONUS DIN 71412-AS 6X1	700203
26	BRAKE AWAY CABLE FOR HAND BRAKE LEVER	209385
27	HAND BRAKE LEVER INCL. BRAKE AWAY CABLE	692236
28	BUSH	692645
29	HEX BOLT DIN 933-M8X16-8.8-ZN8DISP ** **	706089
30	ET-SET BELLOWS	1225358
31	CLAMP FOR TUBE Ø48 COMPLETE (UPGRADE KIT CAN BE FITTED OPTIONAL)	1351203
32	HEX BOLT DIN 931-M10X125-8.8-ZN8DISP	706004
33	CLAMP M12	692234
34	CLAMP HANDLE M12	1351521
35	HEX NUT DIN 985-M10-10-ZN8DISP ** **	705519

* ONLY COMPLETE OVERRUN DEVICE AVAILABLE, SEE IMPRINT ZN.-NR.

** ** FOR SAFETY REASONS: SELF-LOCKING NUT AND SCREW WITH CHEMICAL SELF-LOCKING MUST BE USED ONCE. AFTER UNTIGHTEN ALWAYS USE A NEW SPARE.

provided	ETI-No.	changed	Change No.	Reason of the change	Revisions-No.
03.12.07	811523_en	31.08.2009	15701	POS 27, 28 29 NEW	B
		19.01.2010	15885	POS 27 AND POS 28 MODIFIED	C
		04.04.2011	16376	POS 1 CHANGED, REP-KIT (30) NEW	D
		22.05.13/ÖJ	17399	Pos.16 was 703571, Pos.29 was 703570	E