

Solar Toilet Pod

Patent Pending



Single **1+1** **2+2**

**Self sufficient toilet facilities,
perfect for remote site locations.**

SOLAR PANELS

GAS BOILER

All day
LED PIR lighting

All day
Patent Pending
Instant hot water system

**Up to 96%
CO² efficient**



Solar Toilet Pod

Patent Pending

Cubicle

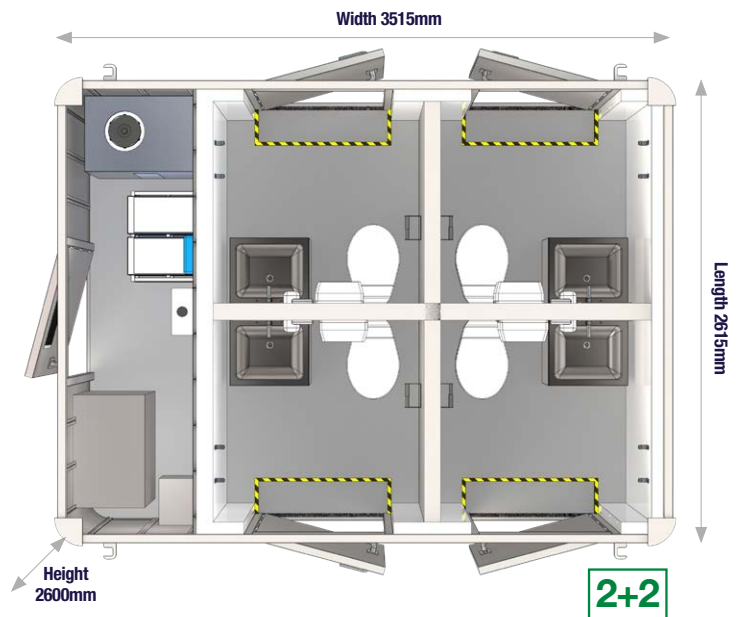
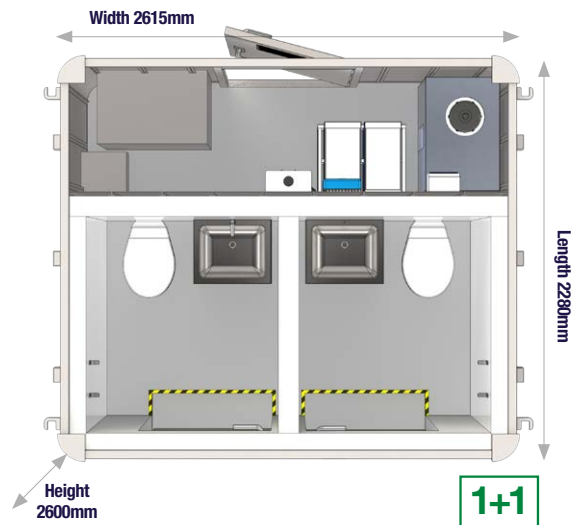
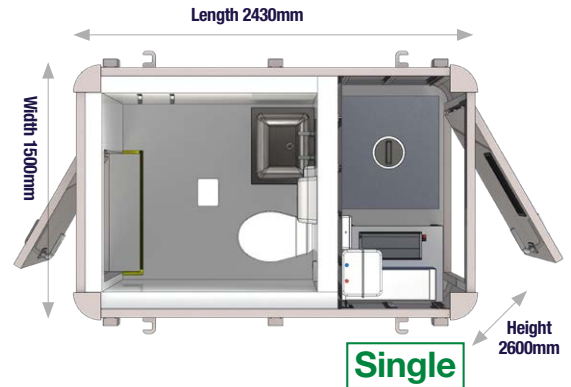
- Fresh flush toilet
- Mirror
- LED downlight
- Ventilation
- Coat hooks

Facilities

- **Single =**
210 litre water tank
520 litre waste tank
- **1+1 =**
450 litre water tank
950 litre waste tank
- **2+2 =**
450 litre water tank
1800 litre waste tank
- External quick and simple hose pipe connection
- External waste tank access
- Gas boiler
- "Waste Tank Full" Warning indicators

Sustainability

- Solar for sustainable free energy with patent pending technology
- Reduced fuel consumption
- Reduced CO2 emissions



www.easycabin.co.uk 01582 486663 info@easycabin.co.uk

DESIGNED & BUILT IN THE UK EasyCabin Head Office & Factory, Unit 10, Cosgrove Way, Luton, Beds, LU1 1XL

